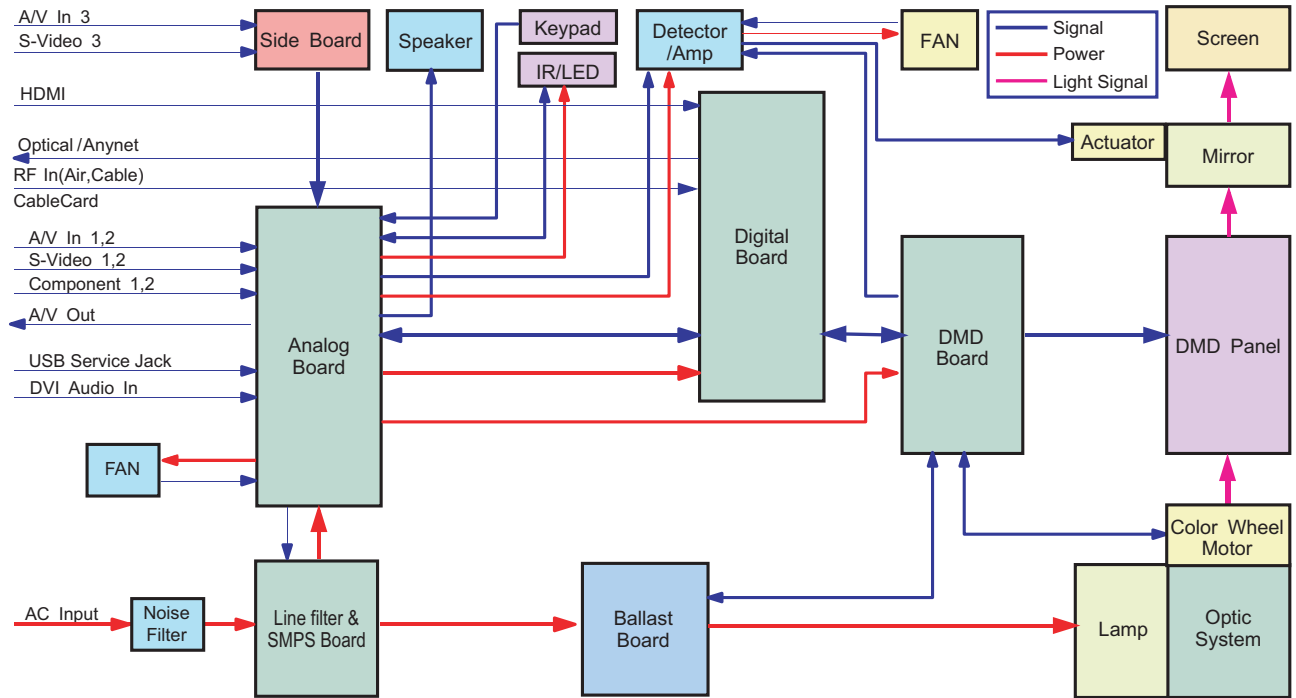


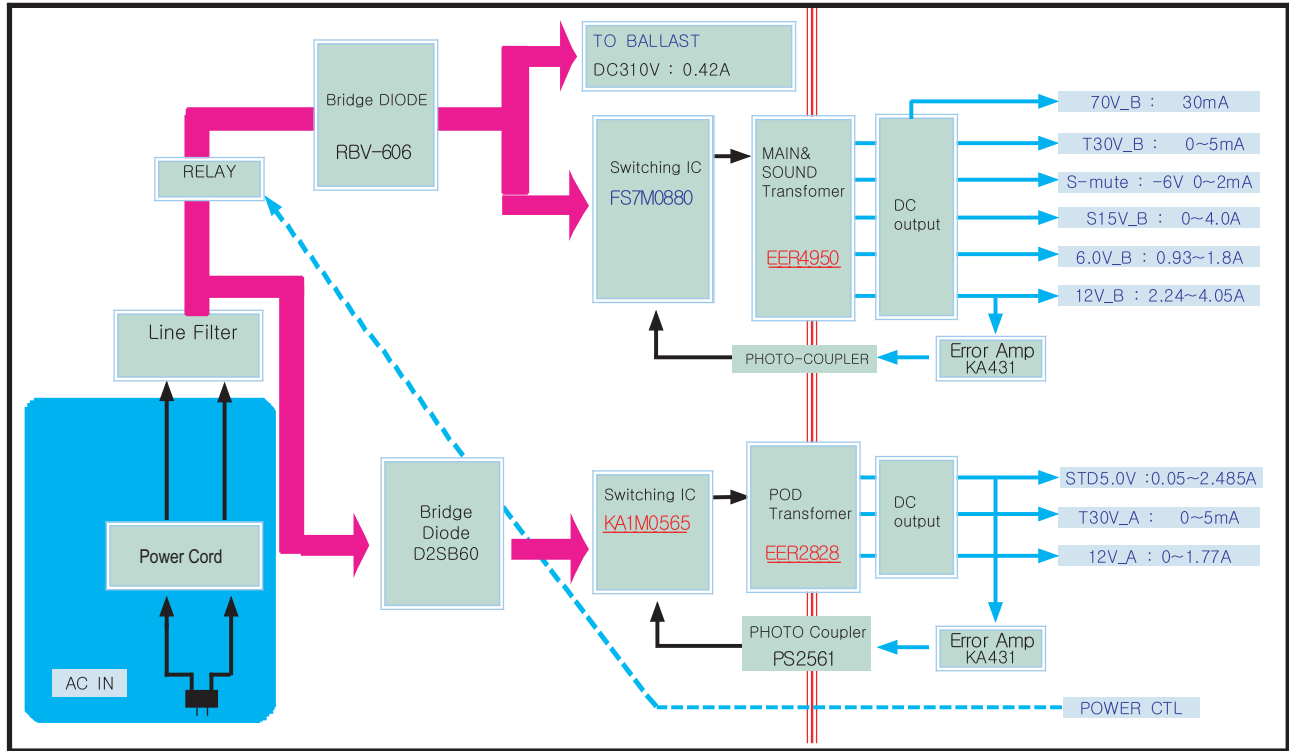
# 7. Block Diagram

## 7-1 Overall Block Diagram

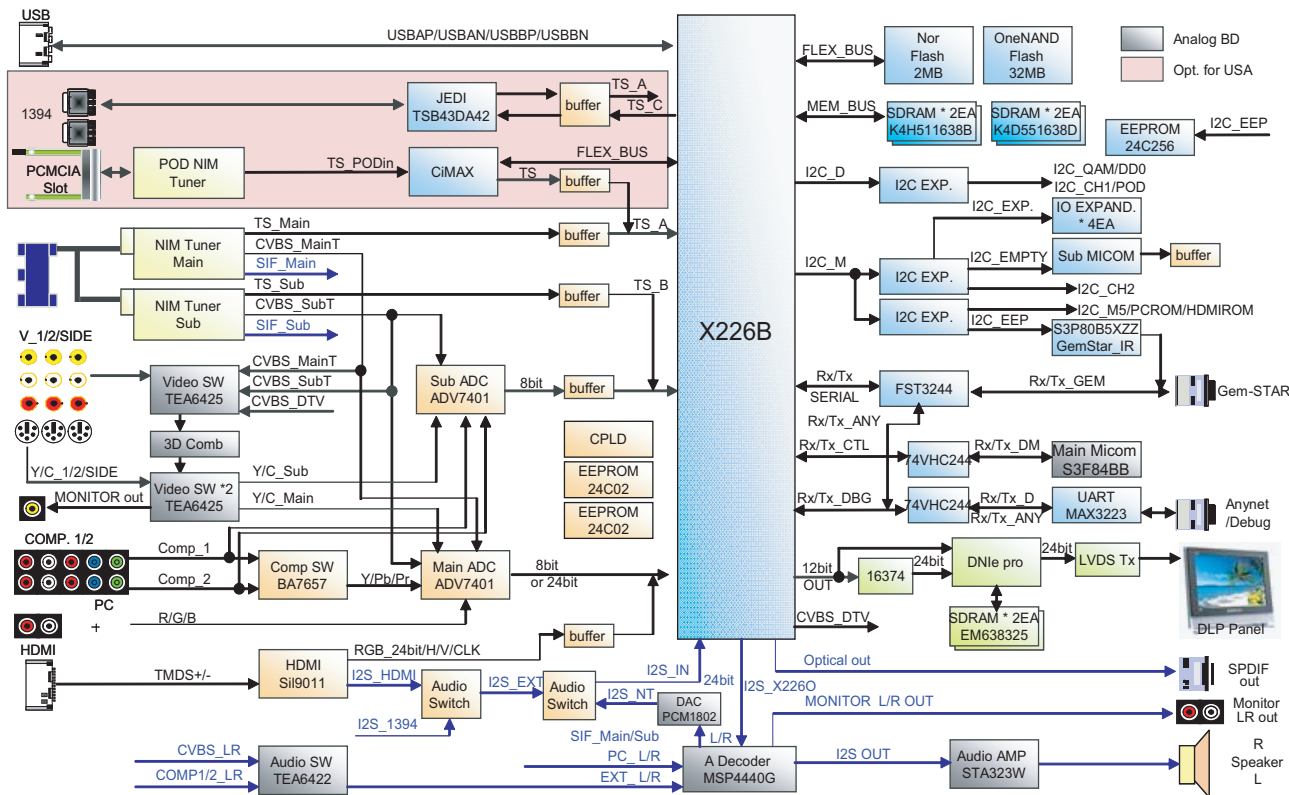


## 7-2 Partial Block Diagram

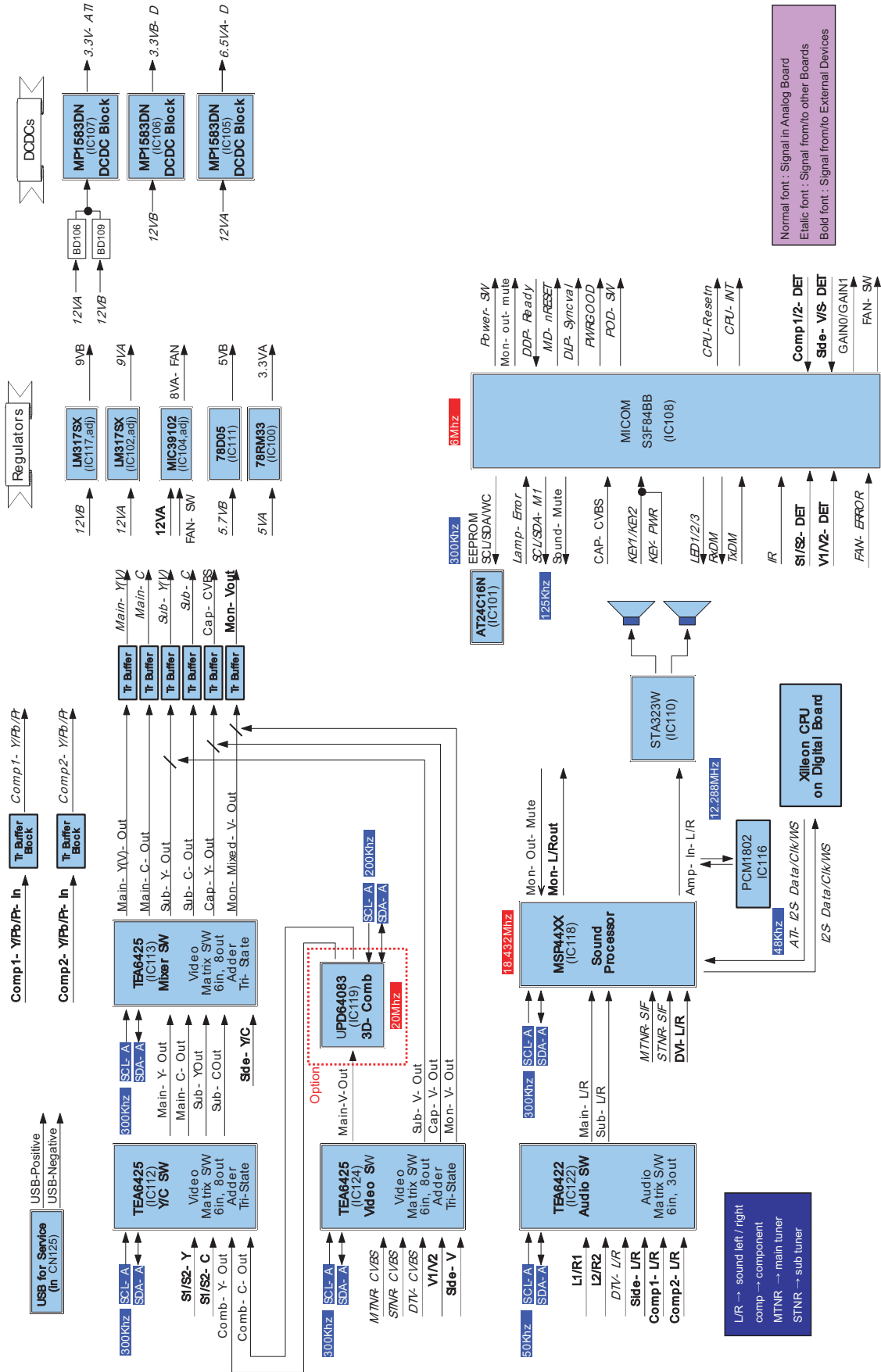
### 7-2-1 Power Board Block Diagram



### 7-2-2 Digital Board Block Diagram



### 7-2-3 Analog Board Block Diagram



### 7-2-4 DMD Board Block Diagram

